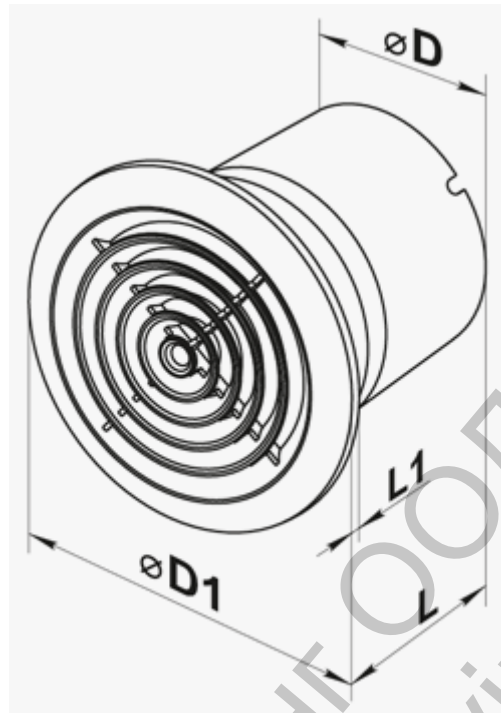


# PF 100



Parameter	Value	Unit
	Voltage	220-240
Frequency	50	Hz
Power	14	W
	0,014	kW
Extract capacity	100	m <sup>3</sup> /h
	58,9	CFM
	27,8	l/s
	0,0278	m <sup>3</sup> /s
	1670	l/m
Current	0.085	A
R.P.M.	2300	min <sup>-1</sup>
Noise level at 3 m	33	dB(A)
Weight	0.47	kg
Index of protection	IP 34	class
Dimension of connection pipe	100	mm

# PF 100



Sizes	$\varnothing D$	$\varnothing D1$	L	L1
mm	100	141	128	13

Ташев-Галвинг ООД  
www.tashev-galving.com